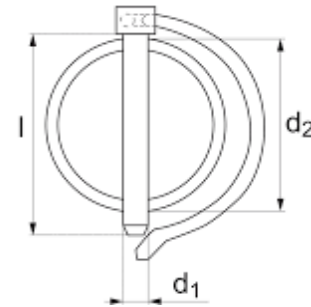


## Shaft Locking Pins



Shaft Locking Pins		
Pin Diameter - d1	Shaft Diameter - d2	Pin Length - l
4.5	32	28
6	32	28
4.5	36	40
6	36	40
8	36	40
10	36	40
6	40	45
8	40	45
8	45	50
10	45	50
8	55	60
10	55	60

Material: Pin Carbon Steel - Loop Carbon Spring Steel

Finish: Zinc Plated

INFORMATION AND DRAWINGS PROVIDED ARE FOR REFERENCE ONLY